



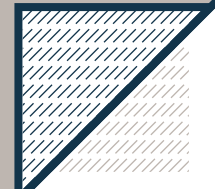
CENTER SUPPORT LEG



CUTTING INSTRUCTIONS

DUX, DUXIANA and DUX Pascal-systems are registered
trademark owed by Dux Design AB 2012.
Printed 2021.02.01

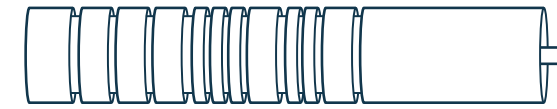
dux.com



HARDWARE

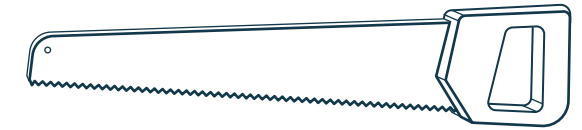
 x1 Washer  x1 Felt

x1 Center supporting leg



TOOLS NEEDED

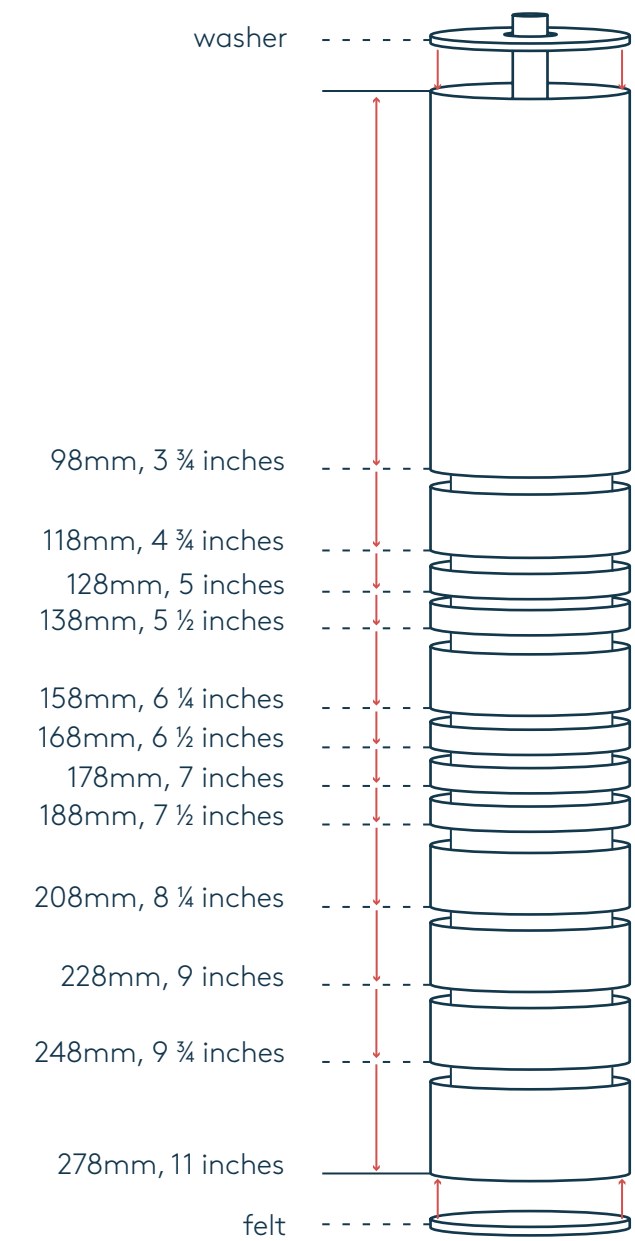
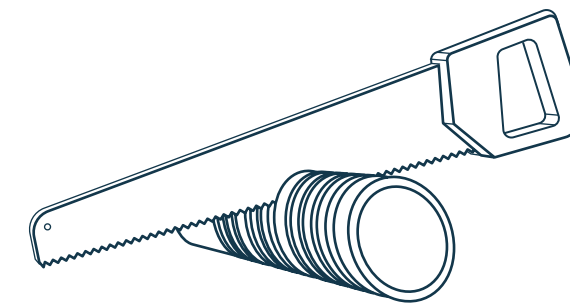
Saw (not included)



ASSEMBLING

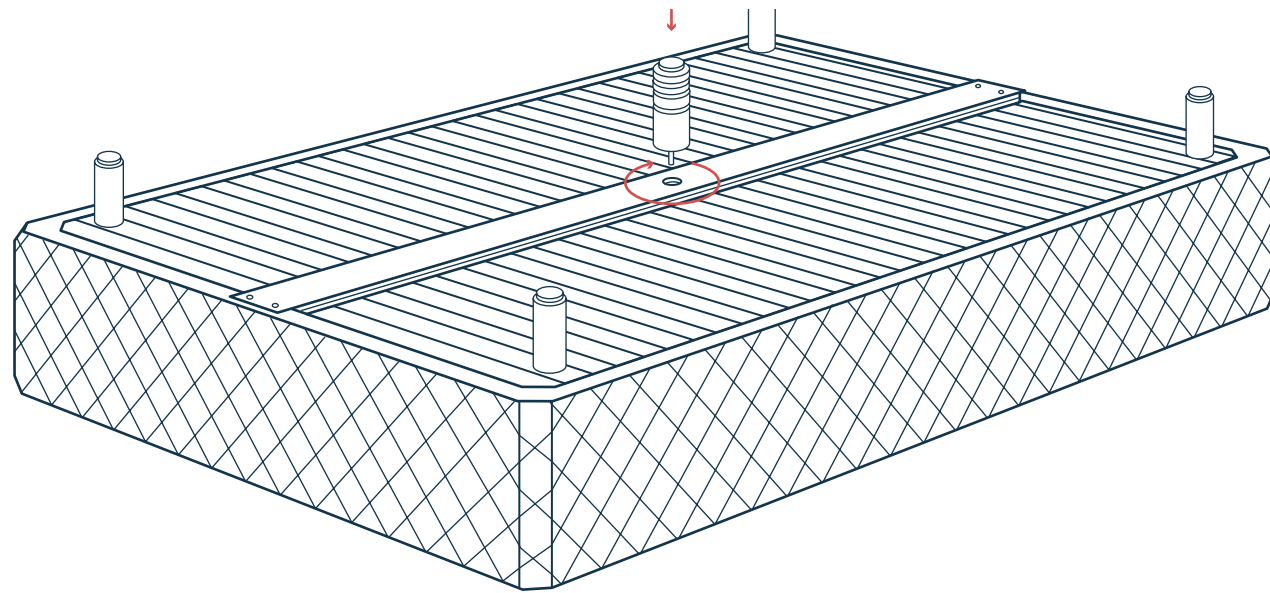
I. MEASURE AND CUT CORRECT LEG HEIGHT

Determine which height to cut the support leg using this template.



II. MOUNT THE SUPPORT LEG

Mount the support leg in the center of the bed, turn leg clockwise to tighten.



MODEL/ LEG HEIGHT	80MM	120MM	160MM	200MM	230MM	270MM	300MM
1001+120CM	-	98	138	178	208	248	278
3003+120CM	-	98	138	178	208	248	278
BASES USA/DELIGHT	-	188	228	-	-	-	-
HOTEL (FRAME10,8)	-	98	128	178	208	248	278